



Démarreurs Electromécaniques Standards et Personnalisés

SEC. - PAGE

Démarreurs Standards	33 - 2
Démarreurs Personnalisés Type 4X. Produits certifiés CSA et cULus	33 - 4
Dimensions	33 - 6
Schémas électriques	33 - 8



DÉMARREURS ELECTROMÉCANIQUES STANDARDS
ET PERSONNALISÉS

Démarreurs Standards



	120V-1 PHASE BOUTONS-POUSOIRS START + STOP/RESET	120V-1 PHASE BOUTON-POUSOIR RESET	Réglage Relais Thermique
HP	Code	Code	(A)
1/10	M1P0091312060A7	M1R0091312060A7	2.5-4
1/8	M1P0091312060A7	M1R0091312060A7	2.5-4
1/6	M1P0091312060A8	M1R0091312060A8	4-6.5
1/4	M1P0091312060A8	M1R0091312060A8	4-6.5
1/3	M1P0091312060A9	M1R0091312060A9	6.3-10
1/2	M1P0091312060A9	M1R0091312060A9	6.3-10
3/4	M1P0121312060B0	M1R0121312060B0	9-14
1	M1P0181312060B1	M1R0181312060B1	13-18
1 1/2	M2P0251312060B2	M2R0251312060B2	17-23
2	M2P0261312060B4	M2R0261312060B4	24-32
3	M25P0381312060B5	M25R0381312060B5	32-38

	240V-1 PHASE BOUTONS-POUSOIRS START + STOP/RESET	240V-1 PHASE BOUTON-POUSOIR RESET	Réglage Relais Thermique
HP	Code	Code	(A)
1/10	M1P0091323060A5	M1R0091323060A5	1-1.6
1/8	M1P0091323060A6	M1R0091323060A6	1.6-2.5
1/6	M1P0091323060A6	M1R0091323060A6	1.6-2.5
1/4	M1P0091323060A7	M1R0091323060A7	2.5-4
1/3	M1P0091323060A7	M1R0091323060A7	2.4-4
1/2	M1P0091323060A8	M1R0091323060A8	4-6.5
3/4	M1P0091323060A9	M1R0091323060A9	6.3-10
1	M1P0091323060A9	M1R0091323060A9	6.3-10
1 1/2	M1P0091323060A9	M1R0091323060A9	6.3-10
2	M1P0121323060B0	M1R0121323060B0	9-14
3	M2P0251323060B2	M2R0251323060B2	17-23
5	M2P0261323060B4	M2R0261323060B4	24-32
7 1/2	M25P0381323060B5	M25R0381323060B5	32-38
10	M3P0501323060B6	M3R0501323060B6	35-50

	208-230V-3 PHASES BOUTONS-POUSOIRS START + STOP/RESET	208-230V-3 PHASES BOUTON-POUSOIR RESET	Réglage Relais Thermique
HP	Code	Code	(A)
1/2	M1P0091223060A6	M1R0091223060A6	1.6-2.5
3/4	M1P0091223060A7	M1R0091223060A7	2.5-4
1	M1P0091223060A8	M1R0091223060A8	4-6.5
1 1/2	M1P0091223060A9	M1R0091223060A9	6.3-10
2	M1P0091223060A9	M1R0091223060A9	6.3-10
3	M1P0121223060B0	M1R0121223060B0	9-14
5	M1P0181223060B1	M1R0181223060B1	13-18
7 1/2	M2P0261223060B3	M2R0261223060B3	20-25
10	M2P0321223060B4	M2R0321223060B4	24-32
15	M3P0651223060B6	M3R0651223060B6	35-50



	460-480V-3 PHASES BOUTONS-POUSOIRS START + STOP/RESET	460-480V-3 PHASES BOUTON-POUSOIR RESET	Réglage Relais Thermique
HP	Code	Code	(A)
1/2	M1P0091246060A5	M1R0091246060A5	1-1.6
3/4	M1P0091246060A6	M1R0091246060A6	1.6-2.5
1	M1P0091246060A6	M1R0091246060A6	1.6-2.5
1 1/2	M1P0091246060A7	M1R0091246060A7	2.5-4
2	M1P0091246060A7	M1R0091246060A7	2.5-4
3	M1P0091246060A8	M1R0091246060A8	4-6.5
5	M1P0091246060A9	M1R0091246060A9	6.3-10
7 1/2	M1P0121246060B0	M1R0121246060B0	9-14
10	M1P0181246060B1	M1R0181246060B1	13-18
15	M2P0251246060B3	M2R0251246060B3	20-25
20	M2P0321246060B4	M2R0321246060B4	24-32
25	M25P0381246060B5	M25R0381246060B5	32-38
30	M3P0501246060B6	M3R0501246060B6	35-50
40	M3P0651246060B7	M3R0651246060B7	46-65

	575-600V-3 PHASES BOUTONS-POUSOIRS START + STOP/RESET	575-600V-3 PHASES BOUTON-POUSOIR RESET	Réglage Relais Thermique
HP	Code	Code	(A)
1/2	M1P0091257560A4	M1R0091257560A4	0.63-1
3/4	M1P0091257560A5	M1R0091257560A5	1-1.6
1	M1P0091257560A6	M1R0091257560A6	1.6-2.5
1 1/2	M1P0091257560A6	M1R0091257560A6	1.6-2.5
2	M1P0091257560A7	M1R0091257560A7	2.5-4
3	M1P0091257560A7	M1R0091257560A7	2.5-4
5	M1P0091257560A8	M1R0091257560A8	4-6.5
7 1/2	M1P0091257560A9	M1R0091257560A9	6.3-10
10	M1P0121257560B0	M1R0121257560B0	9-14
15	M1P0181257560B1	M1R0181257560B1	13-18
20	M2P0261257560B3	M2R0261257560B3	20-25
25	M2P0321257560B4	M2R0321257560B4	24-32
30	M25P0381257560B5	M25R0381257560B5	32-38
40	M3P0501257560B6	M3R0501257560B6	35-50
50	M3P0651257560B7	M3R0651257560B7	46-65

**Démarreurs
Électromécaniques
Personnalisés Type 4X.
Produits certifiés CSA et
cULus**



	120V-1 PHASE BOUTONS START + STOP/RESET + E-STOPT	120V-1 PHASE BOUTONS SÉLECTEUR MAN-OFF-AUTO + RESET	Réglage Relais Thermique
HP	Code	Code	(A)
1/10	M1P0091312060A7+6344	M1R0091312060A7-S130	2.5-4
1/8	M1P0091312060A7+6344	M1R0091312060A7-S130	2.5-4
1/6	M1P0091312060A8+6344	M1R0091312060A8-S130	4-6.5
1/4	M1P0091312060A8+6344	M1R0091312060A8-S130	4-6.5
1/3	M1P0091312060A9+6344	M1R0091312060A9-S130	6.3-10
1/2	M1P0091312060A9+6344	M1R0091312060A9-S130	6.3-10
3/4	M1P0121312060B0+6344	M1R0121312060B0-S130	9-14
1	M1P0181312060B1+6344	M1R0181312060B1-S130	13-18
1 1/2	M2P0251312060B2+6344	M2R0251312060B2-S130	17-23
2	M2P0261312060B4+6344	M2R0261312060B4-S130	24-32
3	M25P0381312060B5+6344	M25R0381312060B5-S130	32-38

	240V-1 PHASE BOUTONS START + STOP/RESET + E-STOPT	240V-1 PHASE BOUTONS SÉLECTEUR MAN-OFF-AUTO + RESET	Réglage Relais Thermique
HP	Code	Code	(A)
1/10	M1P0091323060A5+6344	M1R0091323060A5-S130	1-1.6
1/8	M1P0091323060A6+6344	M1R0091323060A6-S130	1.6-2.5
1/6	M1P0091323060A6+6344	M1R0091323060A6-S130	1.6-2.5
1/4	M1P0091323060A7+6344	M1R0091323060A7-S130	2.5-4
1/3	M1P0091323060A7+6344	M1R0091323060A7-S130	2.4-4
1/2	M1P0091323060A8+6344	M1R0091323060A8-S130	4-6.5
3/4	M1P0091323060A9+6344	M1R0091323060A9-S130	6.3-10
1	M1P0091323060A9+6344	M1R0091323060A9-S130	6.3-10
1 1/2	M1P0091323060A9+6344	M1R0091323060A9-S130	6.3-10
2	M1P0121323060B0+6344	M1R0121323060B0-S130	9-14
3	M2P0251323060B2+6344	M2R0251323060B2-S130	17-23
5	M2P0261323060B4+6344	M2R0261323060B4-S130	24-32
7 1/2	M25P0381323060B5+6344	M25R0381323060B5-S130	32-38
10	M3P0501323060B6+6344	M3R0501323060B6-S130	35-50

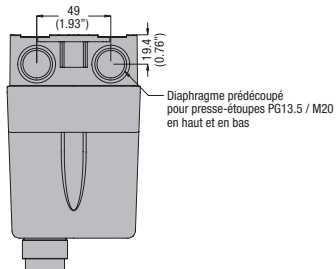
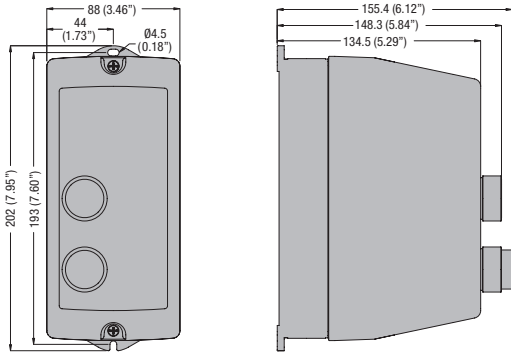
	208-230V-3 PHASES BOUTONS START + STOP/RESET + E-STOPT	208-230V-3 PHASES BOUTONS SÉLECTEUR MAN-OFF-AUTO + RESET	Réglage Relais Thermique
HP	Code	Code	(A)
1/2	M1P0091223060A6+6344	M1R0091223060A6-S130	1.6-2.5
3/4	M1P0091223060A7+6344	M1R0091223060A7-S130	2.5-4
1	M1P0091223060A8+6344	M1R0091223060A8-S130	4-6.5
1 1/2	M1P0091223060A9+6344	M1R0091223060A9-S130	6.3-10
2	M1P0091223060A9+6344	M1R0091223060A9-S130	6.3-10
3	M1P0121223060B0+6344	M1R0121223060B0-S130	9-14
5	M1P0181223060B1+6344	M1R0181223060B1-S130	13-18
7 1/2	M2P0261223060B3+6344	M2R0261223060B3-S130	20-25
10	M2P0321223060B4+6344	M2R0321223060B4-S130	24-32
15	M3P0651223060B6+6344	M3R0651223060B6-S130	35-50



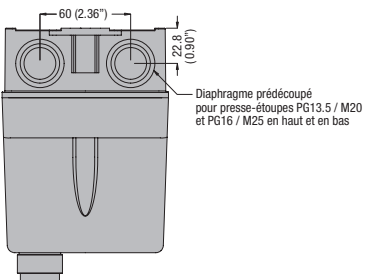
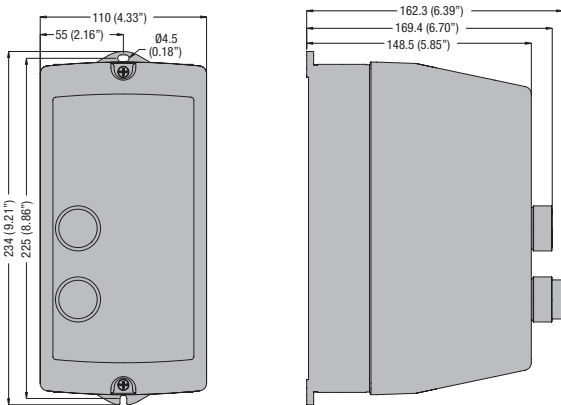
	460-480V-3 PHASES BOUTONS START + STOP/RESET + E-STOP	460-480V-3 PHASES BOUTONS SÉLECTEUR MAN-OFF-AUTO + RESET	Réglage Relais Thermique
HP	Code	Code	(A)
1/2	M1P0091246060A5+6344	M1R0091246060A5-S130	1-1.6
3/4	M1P0091246060A6+6344	M1R0091246060A6-S130	1.6-2.5
1	M1P0091246060A6+6344	M1R0091246060A6-S130	1.6-2.5
1 1/2	M1P0091246060A7+6344	M1R0091246060A7-S130	2.5-4
2	M1P0091246060A7+6344	M1R0091246060A7-S130	2.5-4
3	M1P0091246060A8+6344	M1R0091246060A8-S130	4-6.5
5	M1P0091246060A9+6344	M1R0091246060A9-S130	6.3-10
7 1/2	M1P0121246060B0+6344	M1R0121246060B0-S130	9-14
10	M1P0181246060B1+6344	M1R0181246060B1-S130	13-18
15	M2P0251246060B3+6344	M2R0251246060B3-S130	20-25
20	M2P0321246060B4+6344	M2R0321246060B4-S130	24-32
25	M25P0381246060B5+6344	M25R0381246060B5-S130	32-38
30	M3P0501246060B6+6344	M3R0501246060B6-S130	35-50
40	M3P0651246060B7+6344	M3R0651246060B7-S130	46-65

	575-600V-3 PHASES BOUTONS START + STOP/RESET + E-STOP	575-600V-3 PHASES BOUTONS SÉLECTEUR MAN-OFF-AUTO + RESET	Réglage Relais Thermique
HP	Code	Code	(A)
1/2	M1P0091257560A4+6344	M1R0091257560A4-S130	0.63-1
3/4	M1P0091257560A5+6344	M1R0091257560A5-S130	1-1.6
1	M1P0091257560A6+6344	M1R0091257560A6-S130	1.6-2.5
1 1/2	M1P0091257560A6+6344	M1R0091257560A6-S130	1.6-2.5
2	M1P0091257560A7+6344	M1R0091257560A7-S130	2.5-4
3	M1P0091257560A7+6344	M1R0091257560A7-S130	2.5-4
5	M1P0091257560A8+6344	M1R0091257560A8-S130	4-6.5
7 1/2	M1P0091257560A9+6344	M1R0091257560A9-S130	6.3-10
10	M1P0121257560B0+6344	M1R0121257560B0-S130	9-14
15	M1P0181257560B1+6344	M1R0181257560B1-S130	13-18
20	M2P0261257560B3+6344	M2R0261257560B3-S130	20-25
25	M2P0321257560B4+6344	M2R0321257560B4-S130	24-32
30	M25P0381257560B5+6344	M25R0381257560B5-S130	32-38
40	M3P0501257560B6+6344	M3R0501257560B6-S130	35-50
50	M3P0651257560B7+6344	M3R0651257560B7-S130	46-65

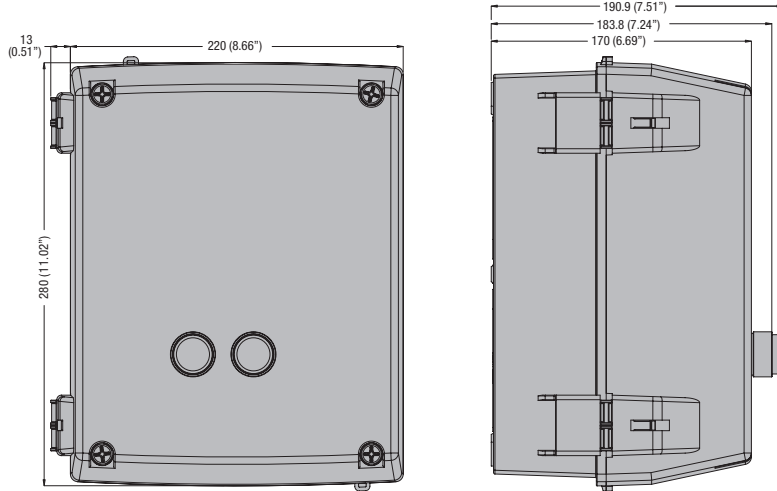
Série Type M1



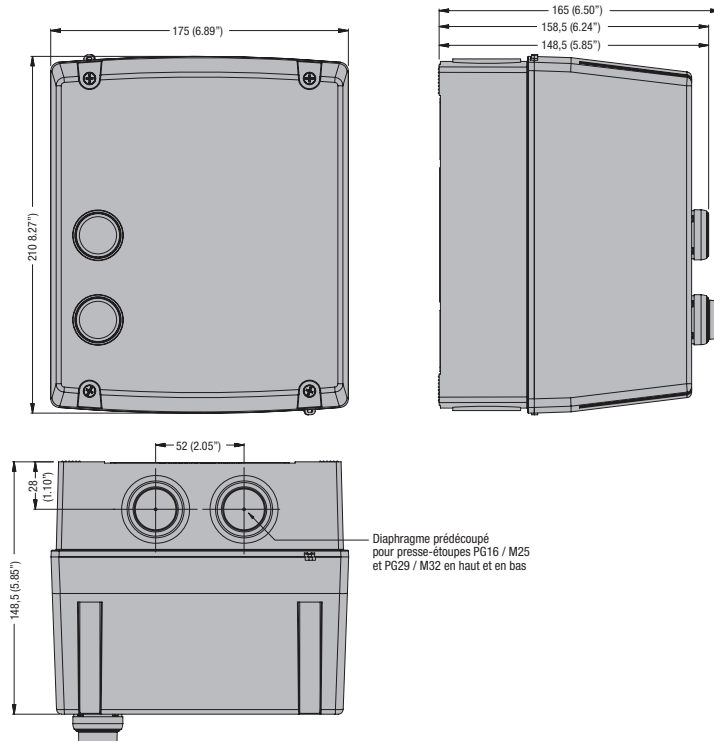
Série Type M2



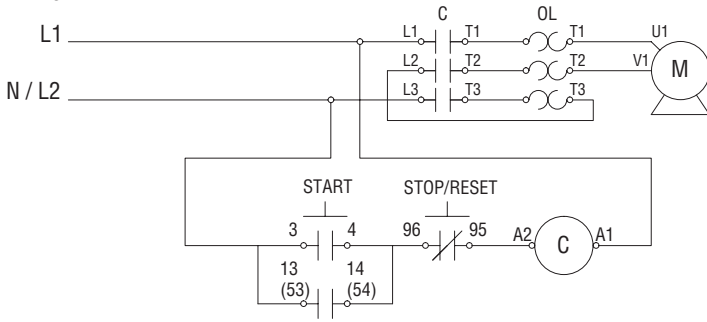
Série Type M3



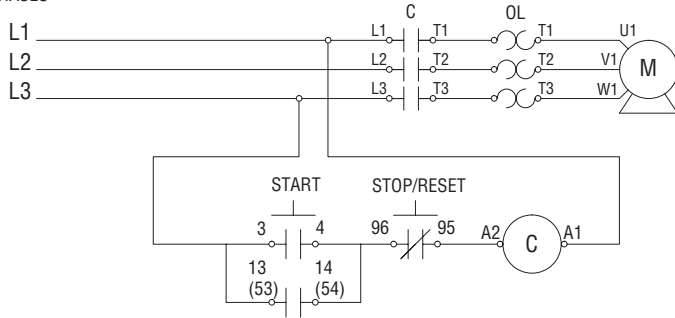
Série Type M25



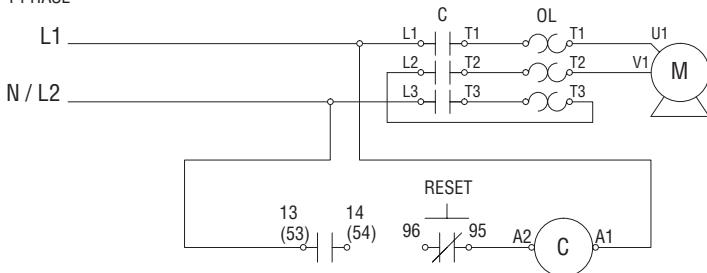
START + STOP/RESET
1 PHASE



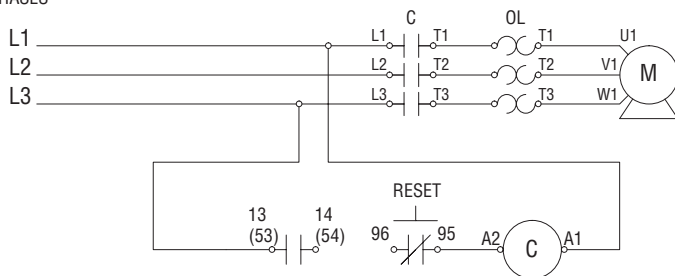
START + STOP/RESET
3 PHASES



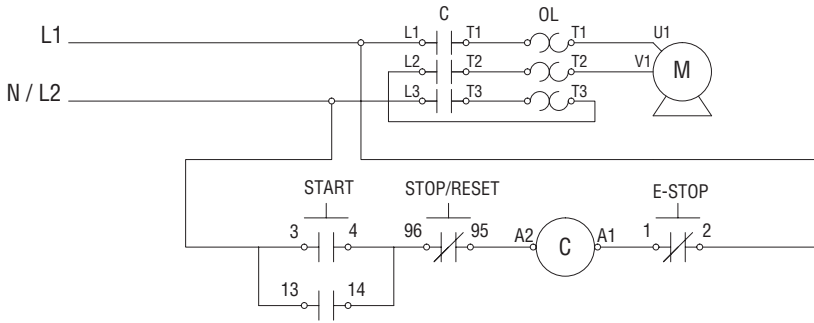
RESET SEULEMENT
1 PHASE



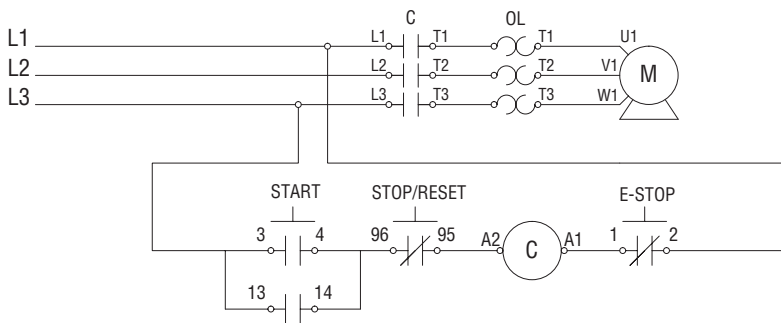
RESET SEULEMENT
3 PHASES



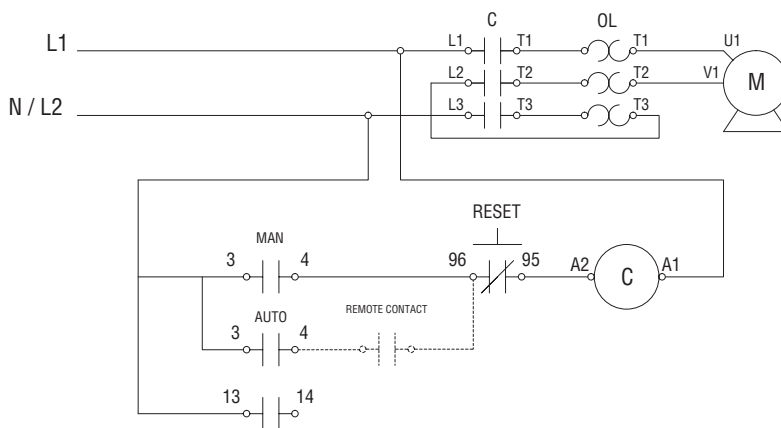
START + STOP/RESET + ARRÊT D'URGENCE
1 PHASE



START + STOP/RESET + ARRÊT D'URGENCE
3 PHASES



SÉLECTEUR MAN-O-AUTO + RESET
1 PHASE



SÉLECTEUR MAN-O-AUTO + RESET
3 PHASES

