



Product designation				Changeover switch
Product type designation				GLC
Number of poles	nr.			3
Operating voltage type				AC
Contact characteristics				
IEC Conventional free air thermal current I _{th}	A			160
Rated insulation voltage U _i IEC/EN	V			1000
Rated impulse withstand voltage U _{imp}	kV			12
Operating current I _e				
AC31B	400V	A	160	
	500V	A	160	
	690V	A	160	
AC32B	400V	A	160	
	500V	A	160	
	690V	A	160	
AC33B	400V	A	160	
	500V	A	160	
	690V	A	160	
Power dissipation per pole max	W			3.2
Rated operational power AC23A	400V	kW	90	
	690V	kW	144	
Reactive power for control of capacitors at				
Rated short time current (1s) I _{cw} (rms)	kA			8
Conditional short-circuit current (rms)	kA			100
Short-circuit protection with fuse	Class/A			gG/160
Making capacity AC23A 400V	A			1600
Breaking capacity AC23A 400V	A			1280
Mechanical life	cycles			20000
Mechanical features				
Operating position	normal allowable			Vertical plan Any
Fixing				Screw
Terminals	type			M8 x 20
Tightening torque for terminals	min	Nm	15	
	Max	Nm	22	
	min	lbin	132	
	max	lbin	194	

Conductor section

Cable (IEC) min	mm ²	70
Cable (IEC) Max	mm ²	85
min (AWG/kcmil)		00
max (AWG/kcmil)		400

Ambient conditions

Operating temperature

min	°C	-25
max	°C	+55

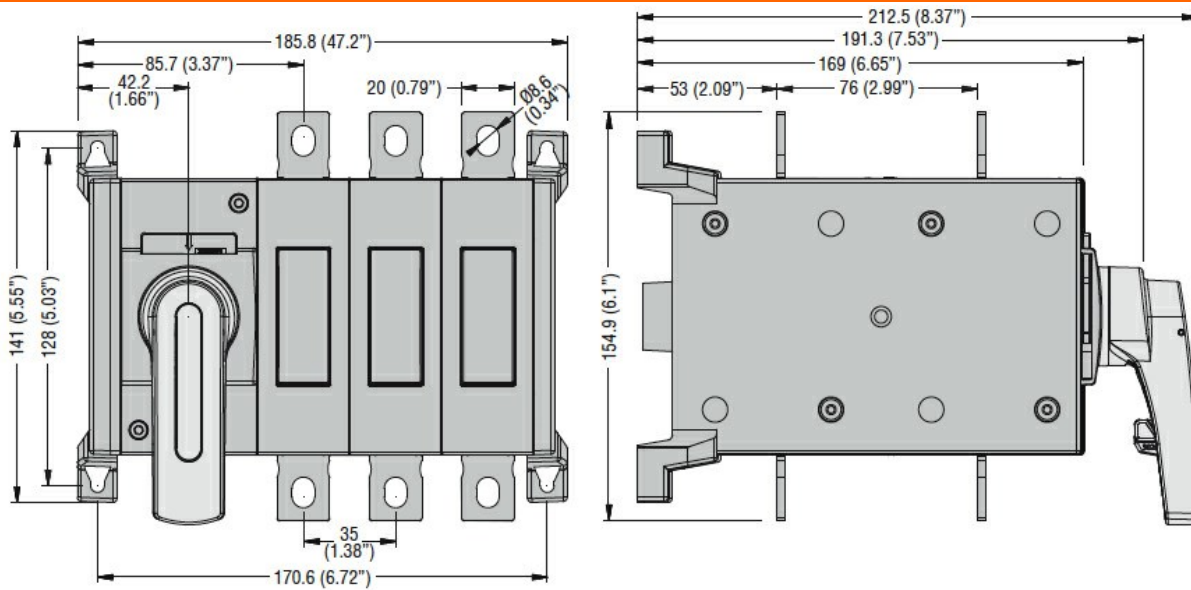
Storage temperature

min	°C	-40
max	°C	+70

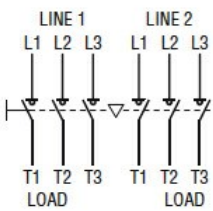
Max altitude

m	3000
---	------

Dimensions



Wiring diagrams



Certifications and compliance

Compliance

IEC/EN 60947-1
IEC/EN 60947-3

ETIM 6 classification

EC000066 - Power contactor, AC switching