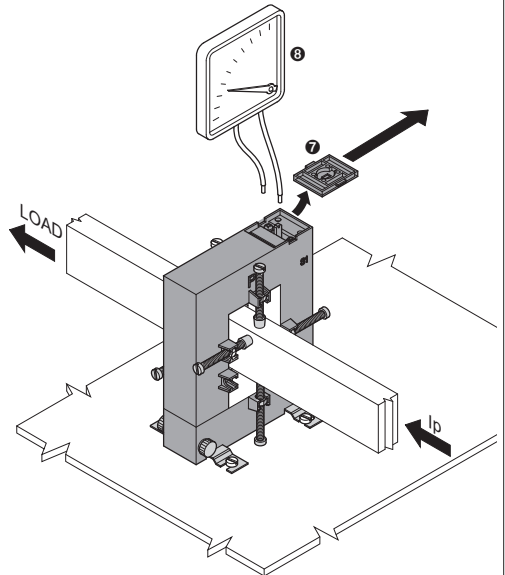
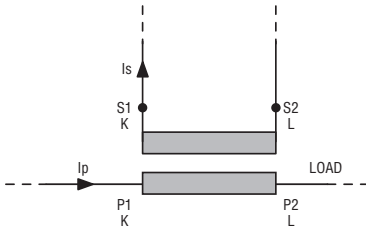
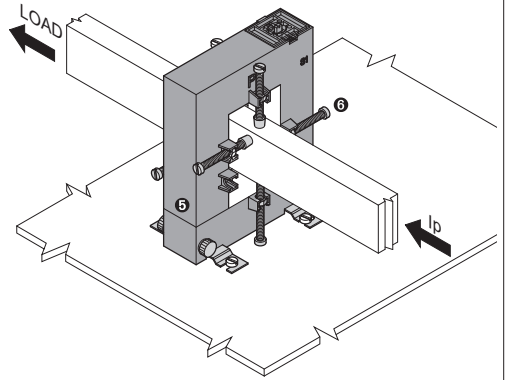
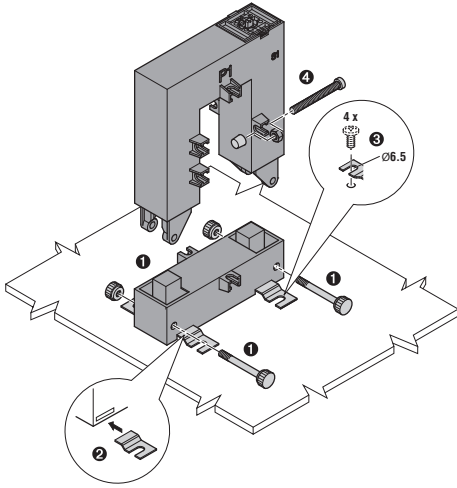
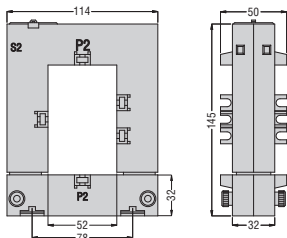



- ① TRASFORMATORI DI CORRENTE - TIPO APRIBILE
- ⓖB CURRENT TRANSFORMERS - SPLIT CORE TYPE
- ⓓ STROMWANDLER - UMBAU-TYP
- ⓕ TRANSFORMATEURS D'INTENSITE - TYPE OUVRABLE
- ⓔ TRANSFORMADORES DE CORRIENTE - TIPO ABRIBLE

DM...TA



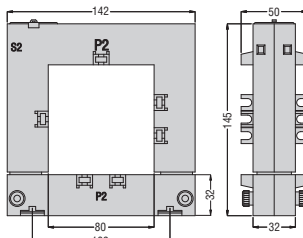
DM1TA...




 = 50x60mm

| | Ip | cl./kl. 0.5 | cl./kl. 1 |
|-------------------|--------|-------------|-----------|
| | /5 [A] | [VA] | [VA] |
| DM1TA 0250 | 250 | 1 | 2 |
| DM1TA 0300 | 300 | 1.5 | 3 |
| DM1TA 0400 | 400 | 1.5 | 3 |
| DM1TA 0500 | 500 | 2.5 | 5 |
| DM1TA 0600 | 600 | 2.5 | 5 |
| DM1TA 0750 | 750 | 3 | 6 |
| DM1TA 0800 | 800 | 3 | 7.5 |
| DM1TA 1000 | 1000 | 5 | 10 |

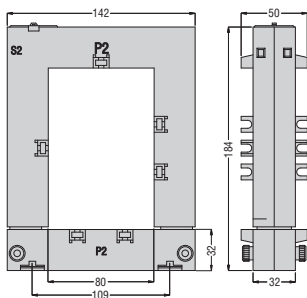
DM2TA...




 = 80x80mm

| | Ip | cl./kl. 0.5 | cl./kl. 1 |
|-------------------|--------|-------------|-----------|
| | /5 [A] | [VA] | [VA] |
| DM2TA 0250 | 250 | 1 | 2 |
| DM2TA 0300 | 300 | 1.5 | 3 |
| DM2TA 0400 | 400 | 1.5 | 3 |
| DM2TA 0500 | 500 | 2.5 | 5 |
| DM2TA 0600 | 600 | 2.5 | 5 |
| DM2TA 0750 | 750 | 3 | 6 |
| DM2TA 0800 | 800 | 3 | 7.5 |
| DM2TA 1000 | 1000 | 5 | 10 |

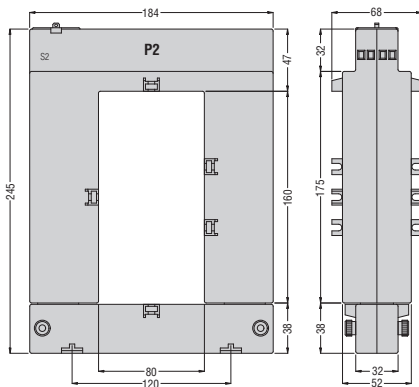
DM3TA...




 = 80x120mm

| | Ip | cl./kl. 0.5 | cl./kl. 1 |
|-------------------|--------|-------------|-----------|
| | /5 [A] | [VA] | [VA] |
| DM3TA 0500 | 500 | — | 4 |
| DM3TA 0600 | 600 | — | 5 |
| DM3TA 0750 | 750 | 2.5 | 6 |
| DM3TA 0800 | 800 | 3 | 7.5 |
| DM3TA 1000 | 1000 | 5 | 10 |
| DM3TA 1200 | 1200 | 6 | 12.5 |
| DM3TA 1250 | 1250 | 7.5 | 15 |
| DM3TA 1500 | 1500 | 8 | 17 |

DM4TA...



 = 80x160mm

| | Ip | cl./kl. 0.5 | cl./kl. 1 |
|-------------------|--------|-------------|-----------|
| | /5 [A] | [VA] | [VA] |
| DM4TA 2000 | 2000 | 15 | 20 |
| DM4TA 2500 | 2500 | 15 | 20 |
| DM4TA 3000 | 3000 | 20 | 25 |
| DM4TA 4000 | 4000 | 20 | 25 |