



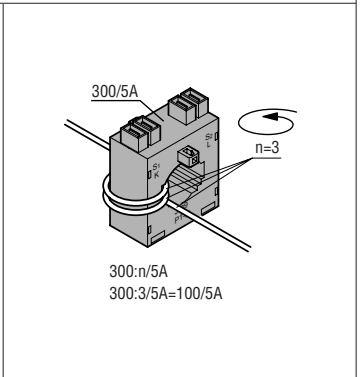
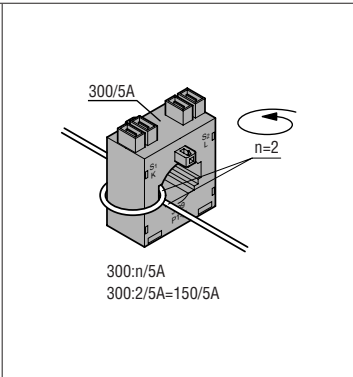
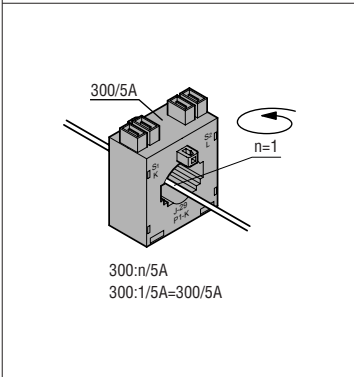
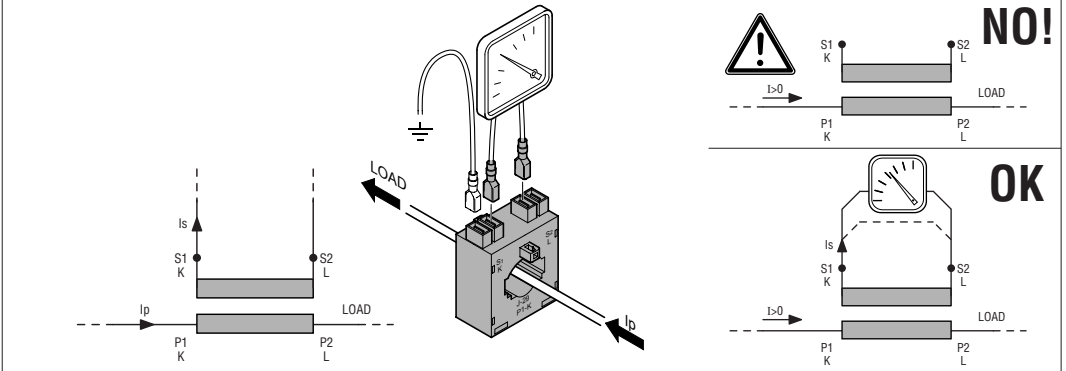
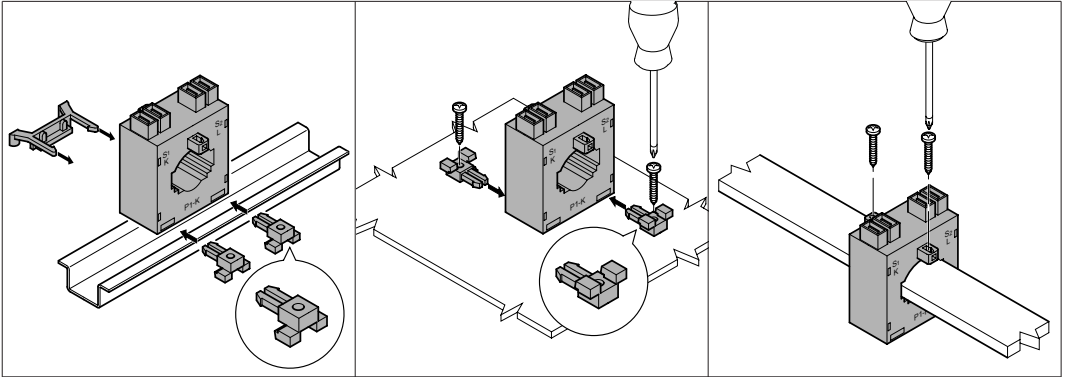
LOVATO ELECTRIC S.P.A.

24020 GORLE (BERGAMO) ITALIA
 VIA DON E. MAZZA, 12
 TEL. 035 4282111
 TELEFAX (Nazionale): 035 4282200
 TELEFAX (International): +39 035 4282400
 E-mail info@LovatoElectric.com
 Web www.LovatoElectric.com

- I TRASFORMATORI DI CORRENTE
- GB CURRENT TRANSFORMERS
- F TRANSFORMATEURS D'INTENSITE
- E TRANSFORMADORES DE CORRIENTE

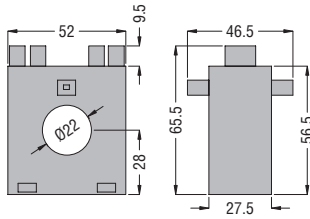


DM...T



39950079
I238 IGBFE04_08

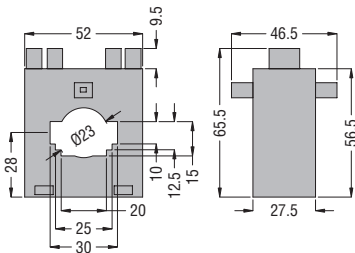
DM1T...




 = Ø22mm

	Ip /5 [A]	cl. 0.5 [VA]	cl. 1 [VA]
DM1T 0040	40	—	1
DM1T 0050	50	—	1
DM1T 0060	60	—	1
DM1T 0080	80	1.5	3
DM1T 0100	100	1.5	3
DM1T 0150	150	1.5	3

DM2T...

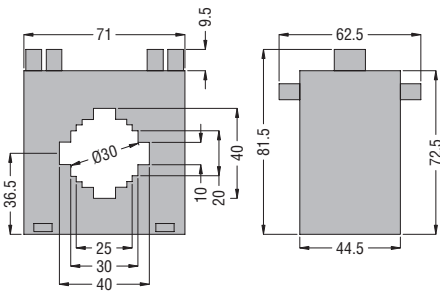



 = Ø23mm

 = 30x10mm
25x12.5mm
20x15mm

	Ip /5 [A]	cl. 0.5 [VA]	cl. 1 [VA]
DM2T 0060	60	—	1
DM2T 0080	80	—	1
DM2T 0100	100	—	1
DM2T 0150	150	—	1
DM2T 0200	200	1.5	3
DM2T 0250	250	1.5	3
DM2T 0300	300	1.5	3
DM2T 0400	400	1.5	4

DM3T...



 = 40x10mm
30x20mm
25x25mm

	Ip /5 [A]	cl. 0.5 [VA]	cl. 1 [VA]
DM3T 0200	200	2	4
DM3T 0250	250	2.5	5
DM3T 0300	300	4	6
DM3T 0400	400	5	8
DM3T 0500	500	6	10
DM3T 0600	600	6	12
DM3T 0800	800	8	15
DM3T 1000	1000	10	20